



# Parts

## Diagnosis 220

Temporary Filling Carrier

## Periodontics 220

Periodontal Curette / Sharpener

## Conservative Treatment 220

Composite Syringe / Rubber Dam Punch / Clamp Forceps /  
Rubber Dam Kit / Reamer Stand / Endodontic Aspirator /  
Irrigation Syringe / Fiber Cutter

## Surgery 222

Mallet / Mouth Gag / Injection Cartridge Syringe /  
Jaw Opening Trainer

## Implantology 223

Multi Collector Kit / Bone Mill / Parallel Meter

## Prosthetics 224

Crown Removing Pliers / Agar Syringe / Contact Gauge /  
Crown Splitting Pliers

## Laboratory Techniques 225

Konus Crown Pliers / Spacy Articulator / Face Bow /  
Accessories for Spacy Articulator / Unity Articulator /  
Partial Articulator / Flask / Laboratory Calipers /  
Dental Caliper / Parallel Meter / Handy Torch

## Orthodontics 230

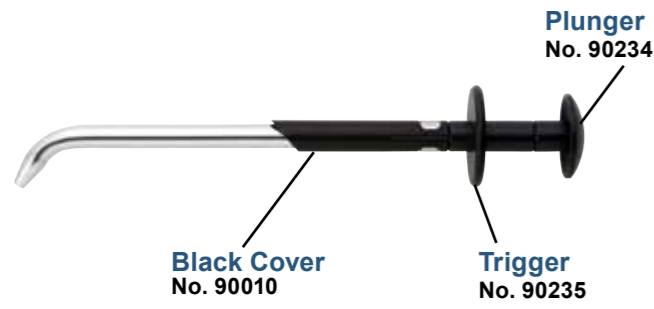
Orthodontic Pliers EVER / onvertible Cap Removing Pliers /  
Tying Pliers / Separator / Band Seater / Handy Torch

## Other Chair-side Products 232

Almighty Mouth Gag / Photographic Mirror /  
One-Touch Cotton Box / Cotton Dispenser /  
One Push Liquid Bottle / Phial Stand One-Touch /  
Sterilization Cassette / Sterilization Case / Bur Pot



### Temporary Filling Carrier



### Periodontal Curette

-KK-Type-

**Contents** Color Ring S Red, Pink, Yellow, White

No. 90399

-S-

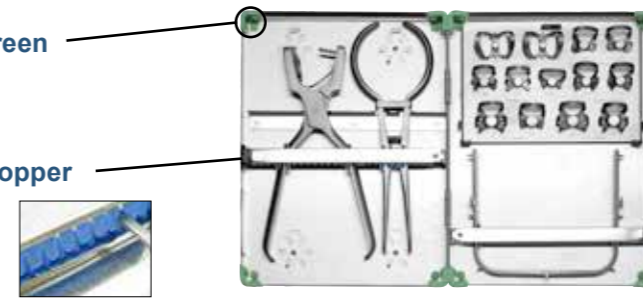
Outside diameter / ø6mm  
Inside diameter / ø4mm,  
Ring width / 3mm



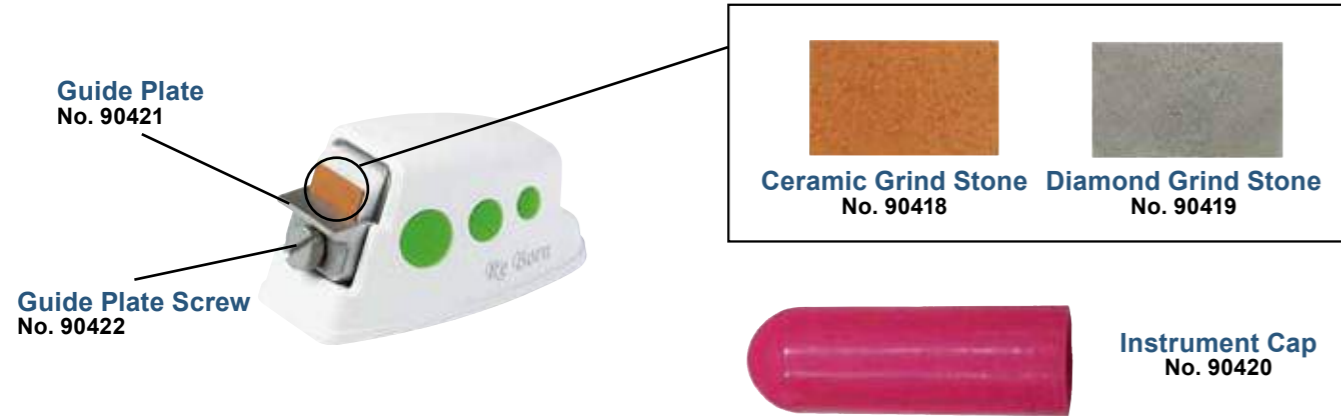
### Rubber Dam Kit Type-2

Corner Green  
No. 90389  
(2 ea.)

Silicon Stopper  
No. 90259



### Sharpener Re Born



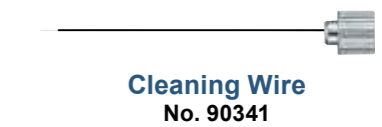
### Reamer Stand

-Safety-



### Endodontic Aspirator Type-2

-Str. / Cvd.-



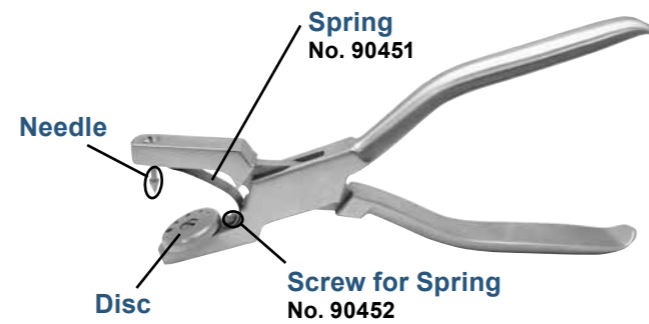
### Composite Syringe Type-2

-L / S-

**Adaptor**  
L : No. 90370 \*Adaptor L and S have the compatibility.  
S : No. 90371

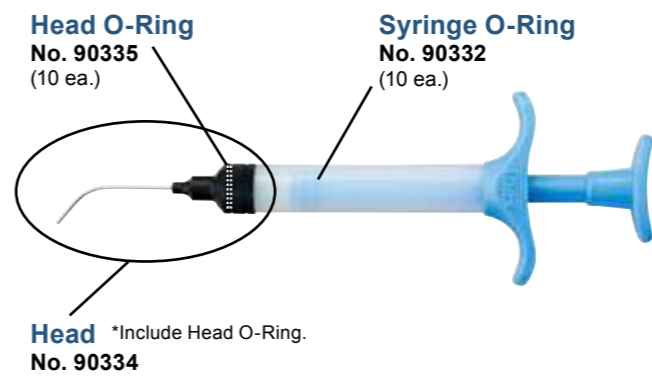


### Rubber Dam Punch Type-2

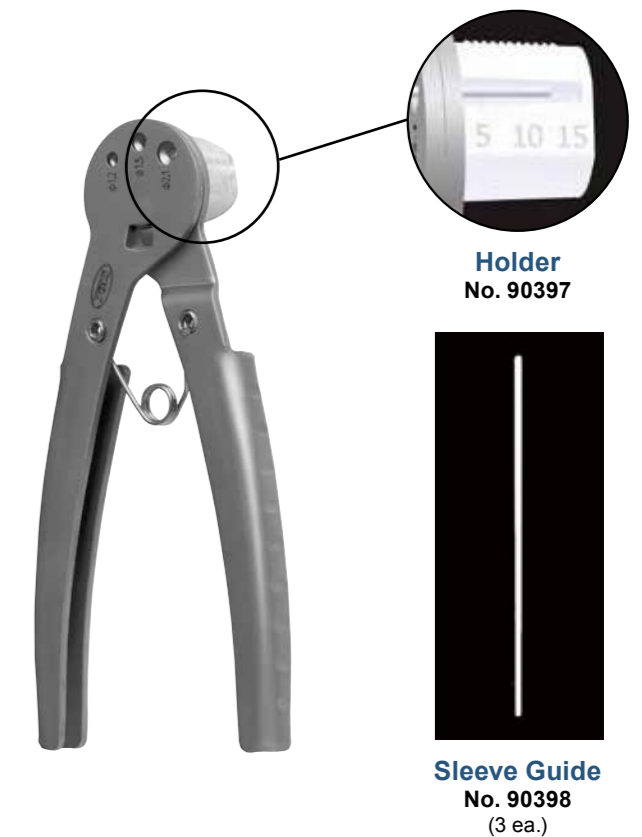


\*Needle & Disk are need to be repaired at YDM Corp.

### Irrigation Syringe

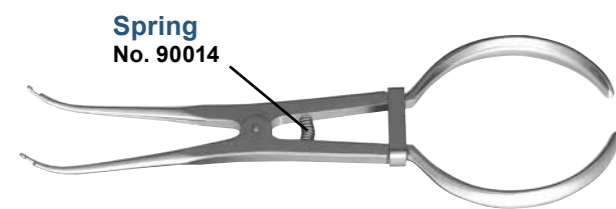


### Fiber Cutter

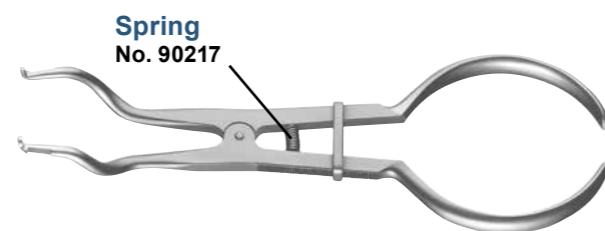


### Clamp Forceps

-YS-



-Brewer-





### Mallet

-Universal-



Base  
No. 90306

-Soft-



Base  
No. 90035

-Hard-

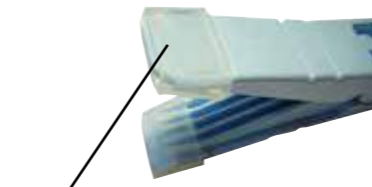


Cap  
No. 90036

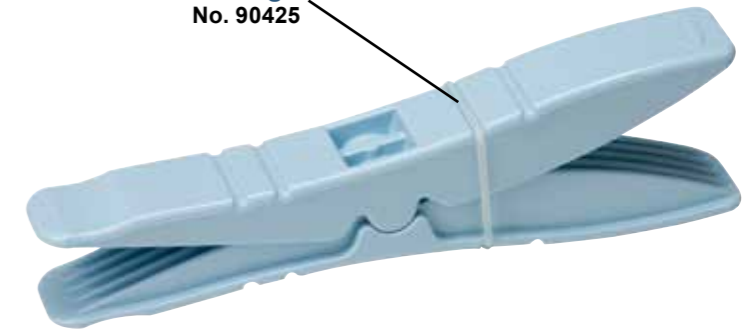


Base  
No. 90385

### Jaw Opening Trainer



Silicon Cover  
No. 90424  
(2 ea.)



O-Ring  
No. 90425

### Multi Collector Kit Type-2

### Mouth Gag

-Heister-

Silicon Cover  
No. 90393  
(2 ea.)

\*Inside diameter / ø8mm  
\*Size / 35mm



-Roser-Koenig-

Silicon Cover  
No. 90394  
(2 ea.)

\*Inside diameter / ø7mm  
\*Size / 35mm



### Injection Cartridge Syringe Type-2

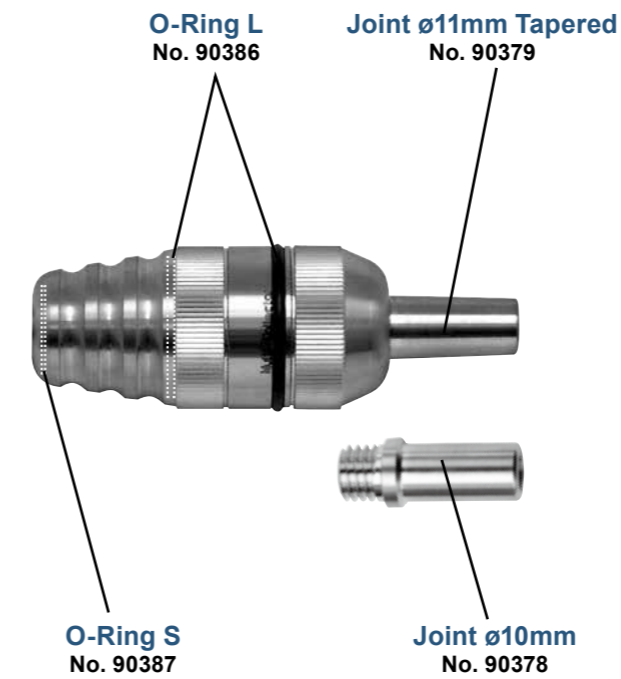
-A / B-



Screw Cap  
No. 90209

Lure Lock Cap  
No. 90320

\*Screw Cap and Lure Lock Cap have the compatibility.



O-Ring L  
No. 90386

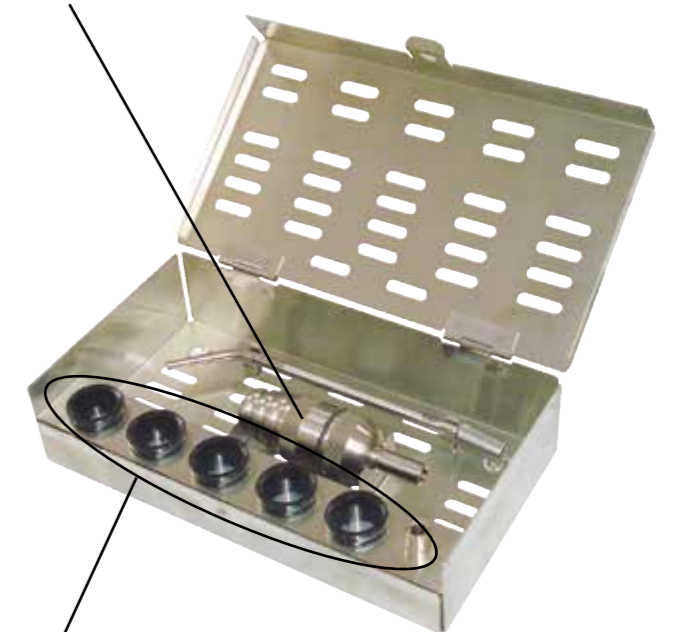
Joint ø11mm Tapered  
No. 90379

O-Ring S  
No. 90387

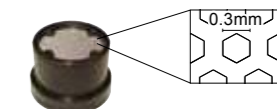
Joint ø10mm  
No. 90378

Main Body  
No. 30168

\*Include Joint ø11mm Tapered and ø10mm.



Filter  
No. 30172  
(5 ea.)





### Bone Mill

-ex-2-

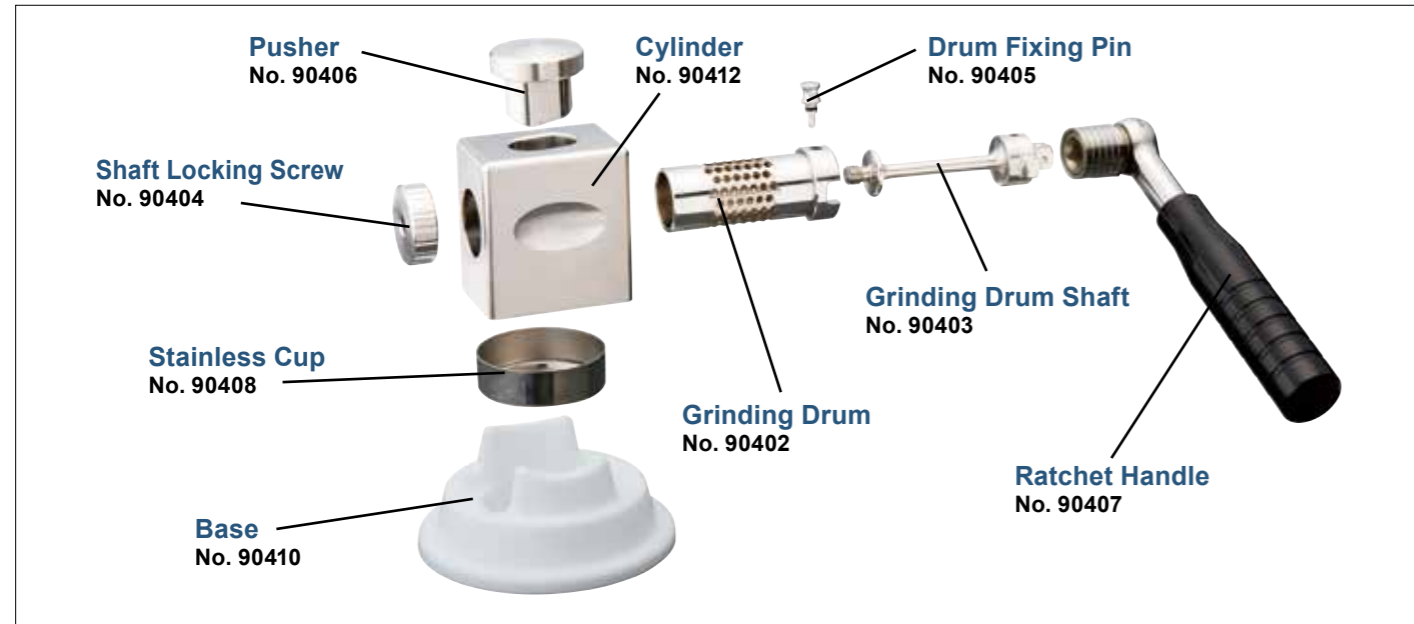


**Sterilization Container**  
No. 90401

**Lid in Container**  
No. 90411  
(5 ea.)



**Grinding Drum  
Cleaning Comb**  
No. 90400



**Pusher**  
No. 90406

**Cylinder**  
No. 90412

**Drum Fixing Pin**  
No. 90405

**Shaft Locking Screw**  
No. 90404

**Stainless Cup**  
No. 90408

**Grinding Drum**  
No. 90402

**Grinding Drum Shaft**  
No. 90403

**Base**  
No. 90410

**Ratchet Handle**  
No. 90407

-Mini Barrel-



**Grinding Drum**  
No. 90431

**Spacer**  
No. 90432

### Parallel Meter

**Pin**  
No. 90066

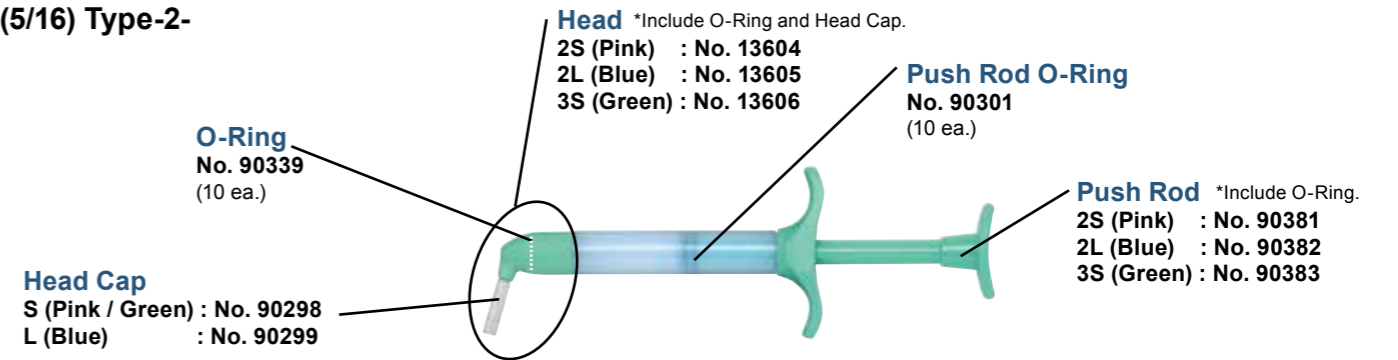
**Screw**  
No. 90240

### Crown Removing Pliers Professional

**Tip**  
No. 90455  
(10 ea.)

### Agar Syringe

-(5/16) Type-2-



**Head** \*Include O-Ring and Head Cap.

2S (Pink) : No. 13604  
2L (Blue) : No. 13605  
3S (Green) : No. 13606

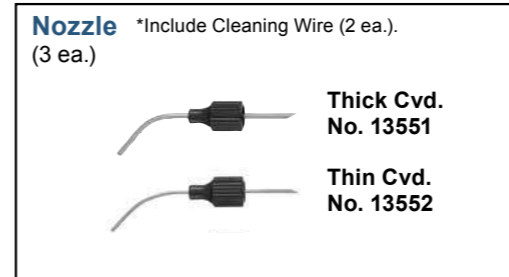
**Push Rod O-Ring**  
No. 90301  
(10 ea.)

**O-Ring**  
No. 90339  
(10 ea.)

**Head Cap**  
S (Pink / Green) : No. 90298  
L (Blue) : No. 90299

**Push Rod** \*Include O-Ring.  
2S (Pink) : No. 90381  
2L (Blue) : No. 90382  
3S (Green) : No. 90383

-(CT) Set-



**Nozzle** \*Include Cleaning Wire (2 ea.).  
(3 ea.)

**Thick Cvd.**  
No. 13551

**Thin Cvd.**  
No. 13552



**Cap**  
No. 90220

**Cleaning Wire**  
No. 90303

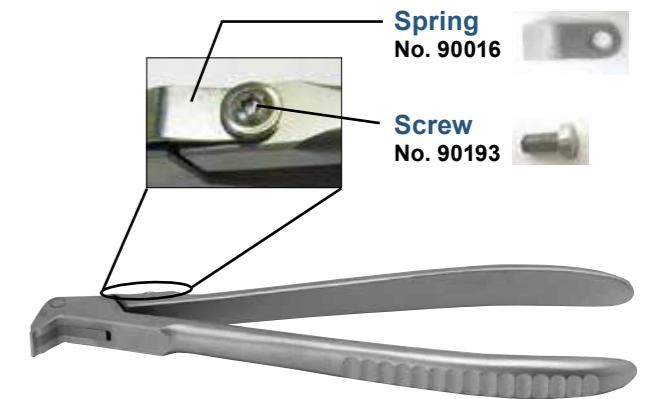
### Contact Gauge

-Double End Holder Set / Single End Holder Set-



**Spring**  
No. 90009

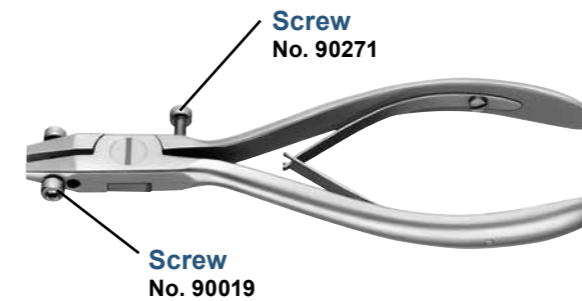
### Crown Splitting Pliers



**Spring**  
No. 90016

**Screw**  
No. 90193

### Konus Crown Pliers



**Screw**  
No. 90271

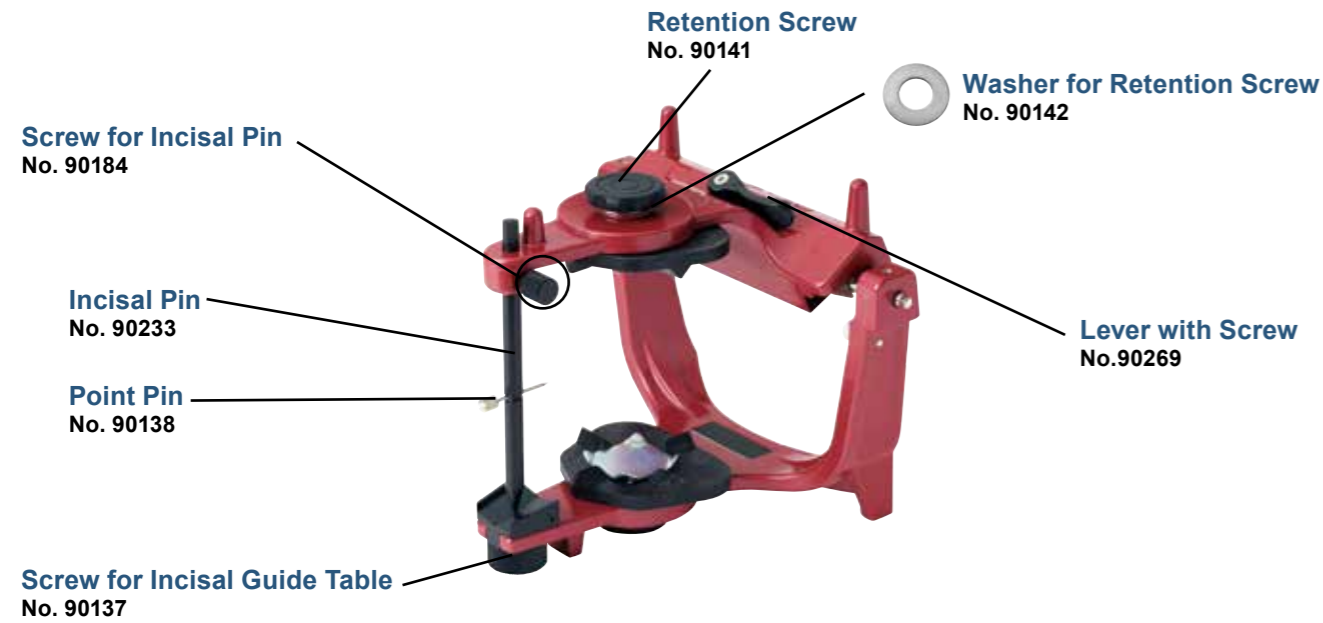
**Screw**  
No. 90019



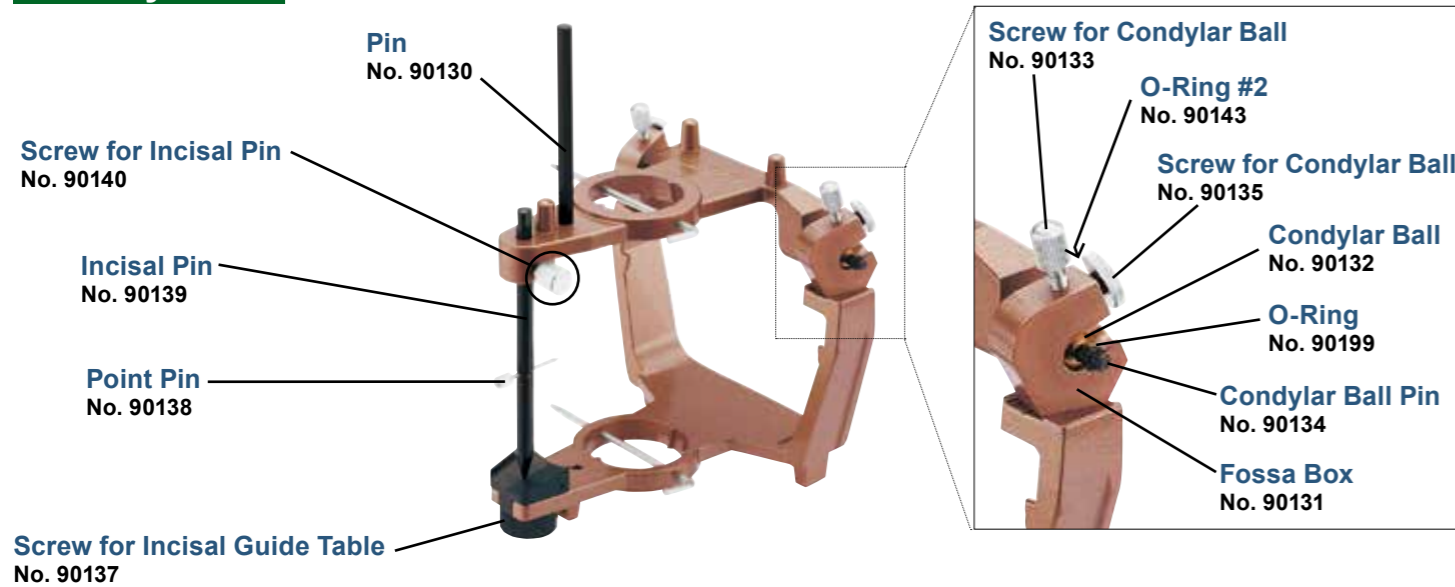


# Spacy Articulator (Average Type)

## Arcon

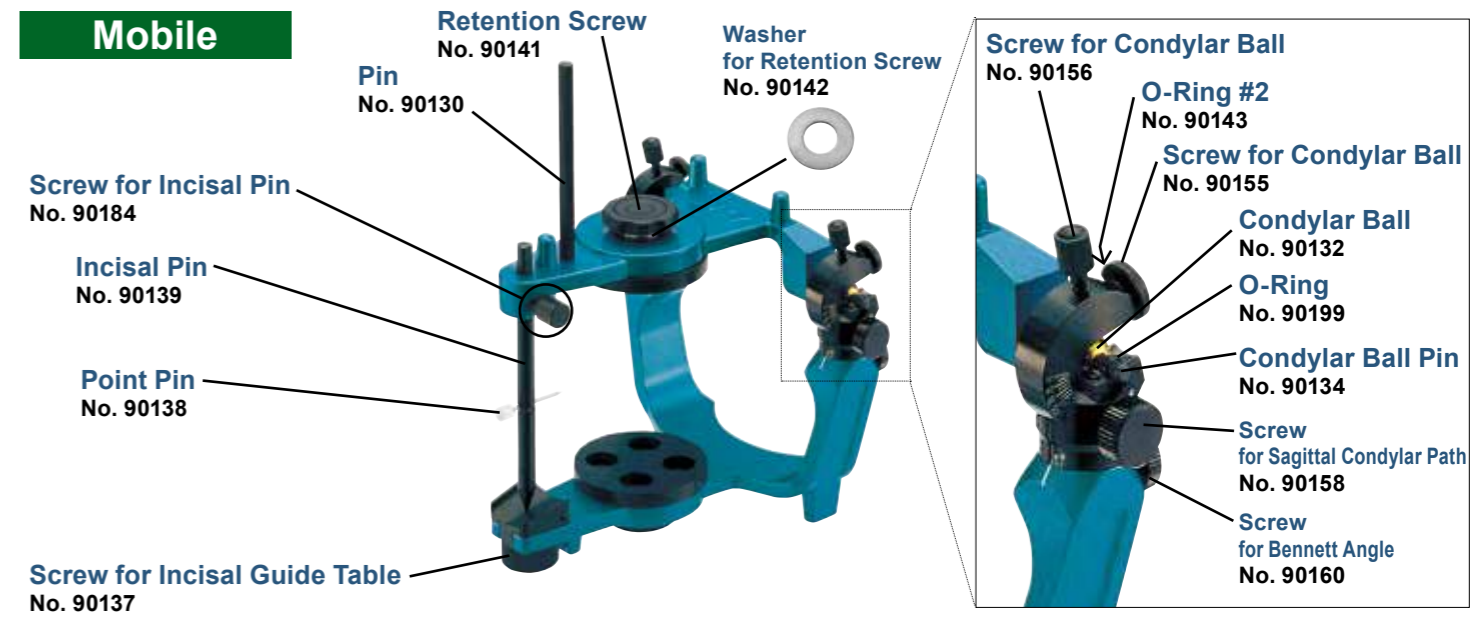


## Condylar A

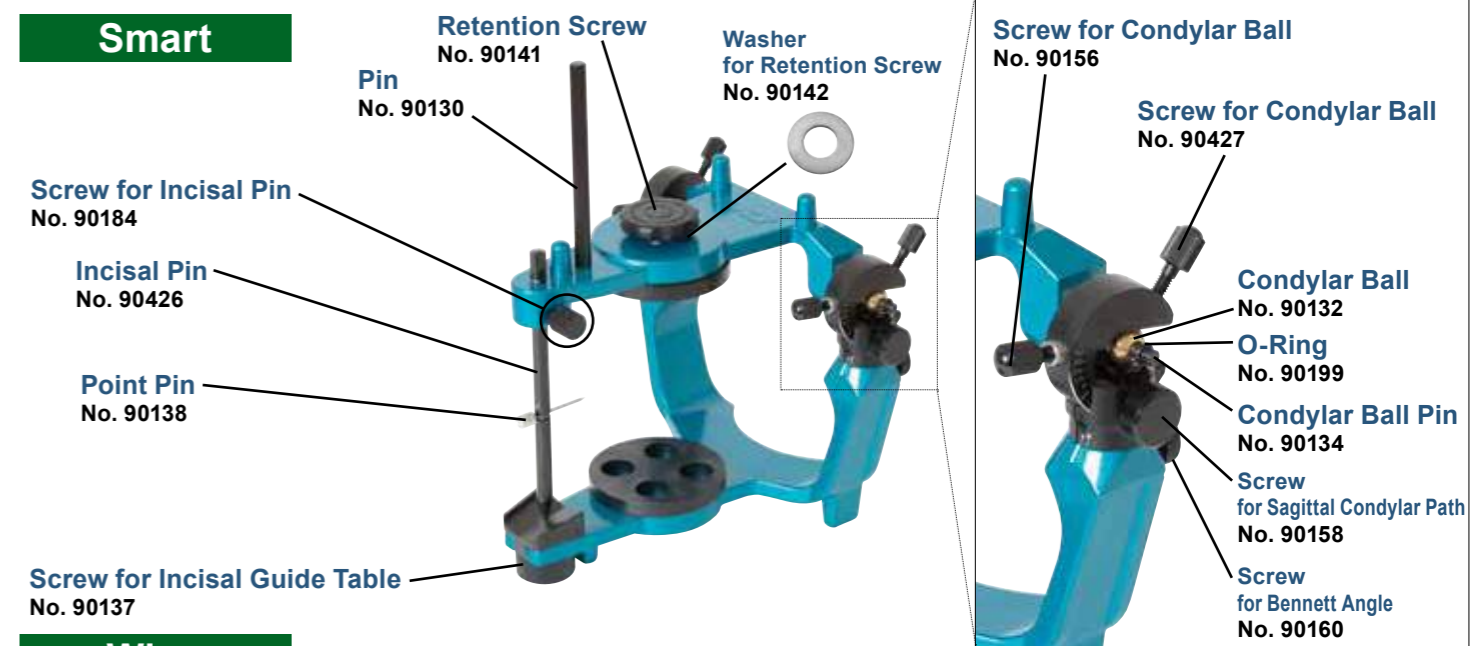


# Spacy Articulator (Semi-Adjustable)

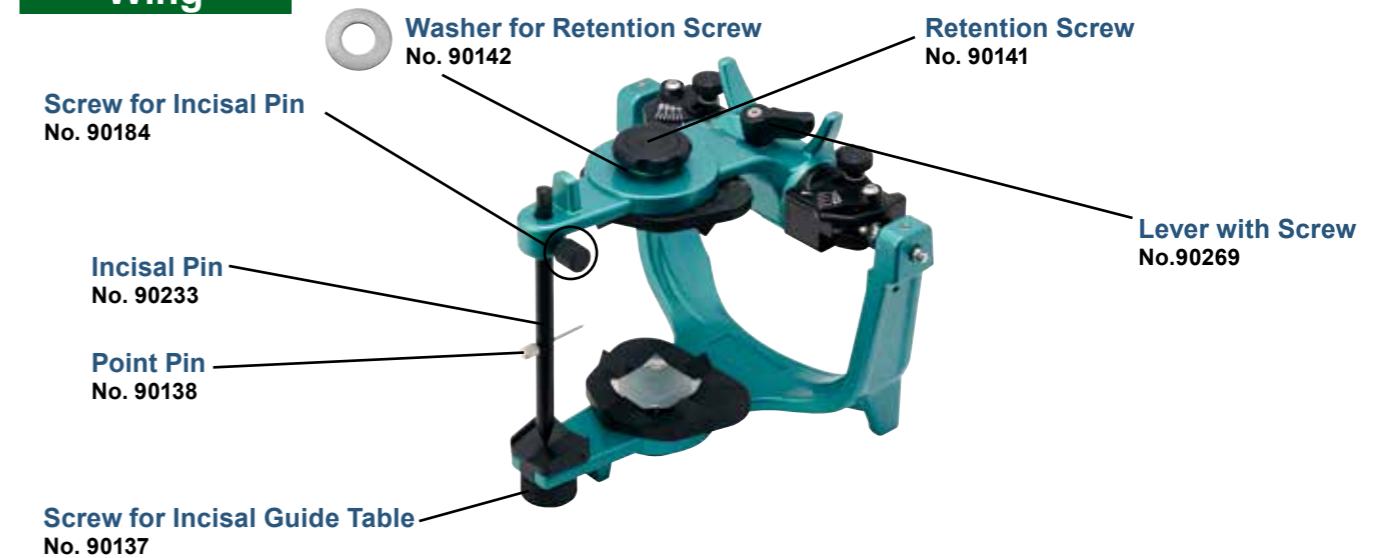
## Mobile



## Smart

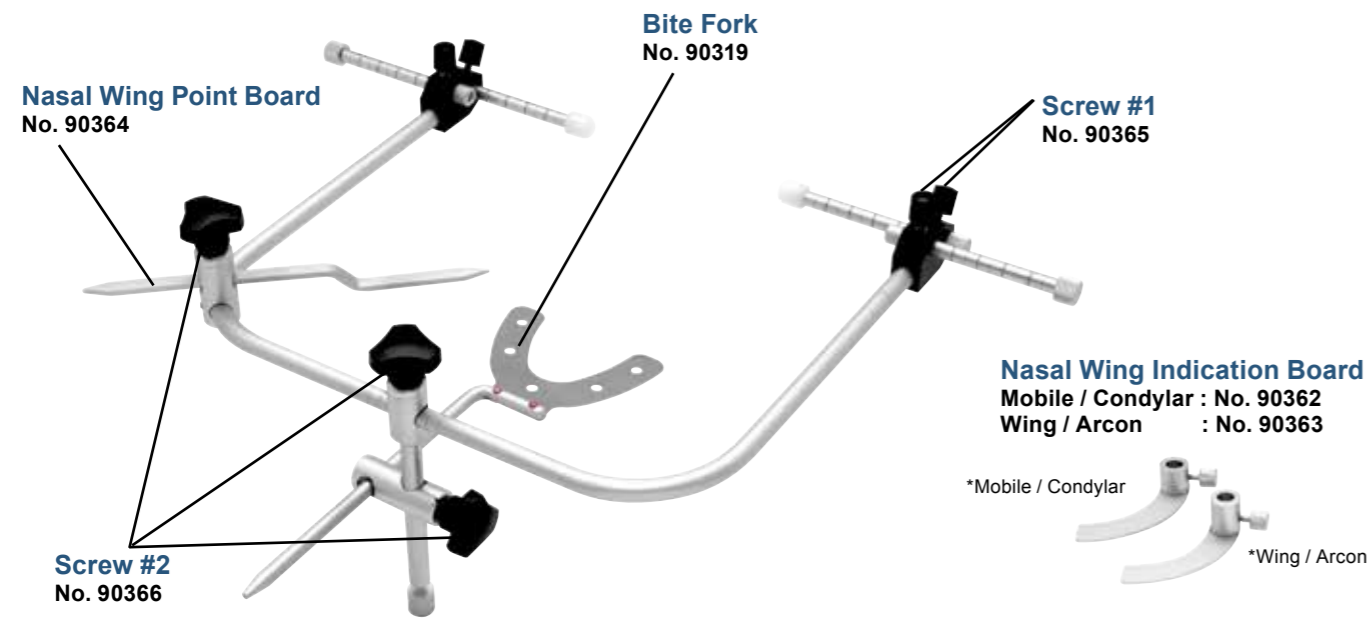


## Wing

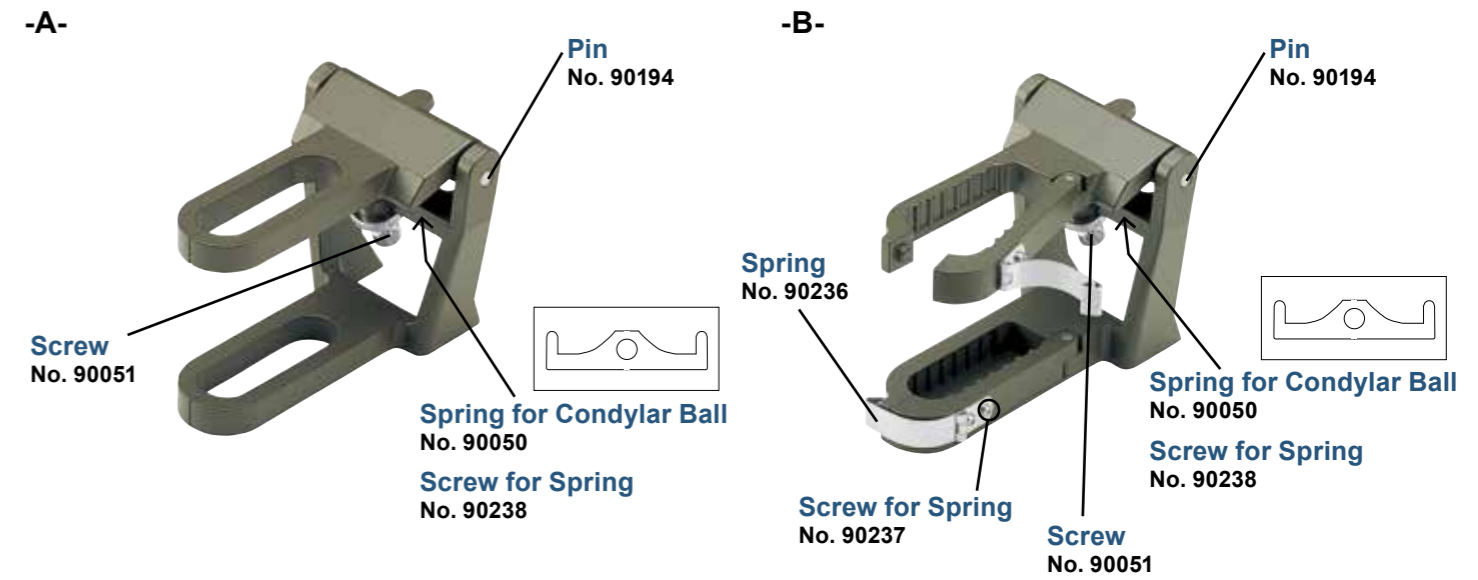




### Face Bow Type-2

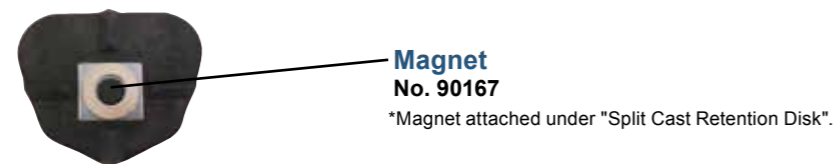


### Partial Articulator



### Accessories for Spacy Articulator

-Split Cast Plate A / Split Cast Plate B-

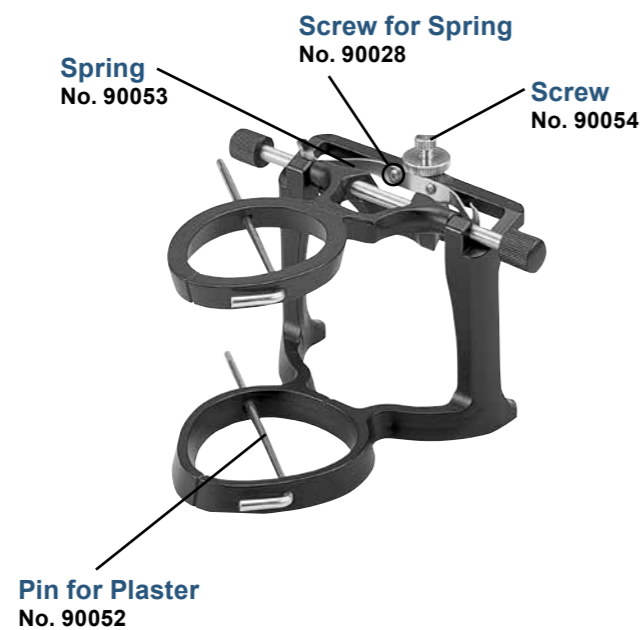


### Flask

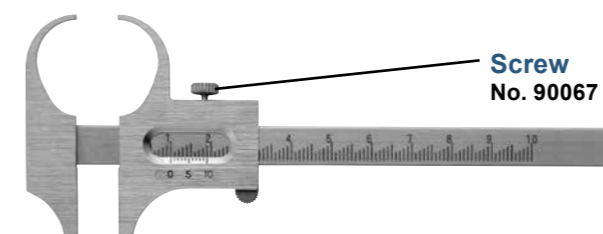
-Upper / Lower-



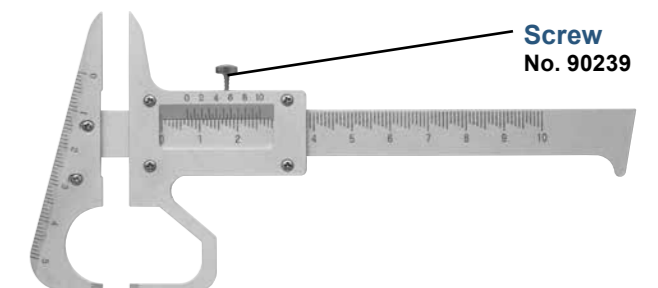
### Unity Articulator



### Laboratory Calipers



### Dental Calipers





### Parallel Meter

SEE P.224.

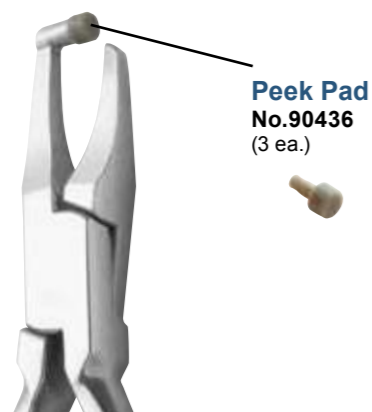
### Handy Torch

-Labo / Ortho-

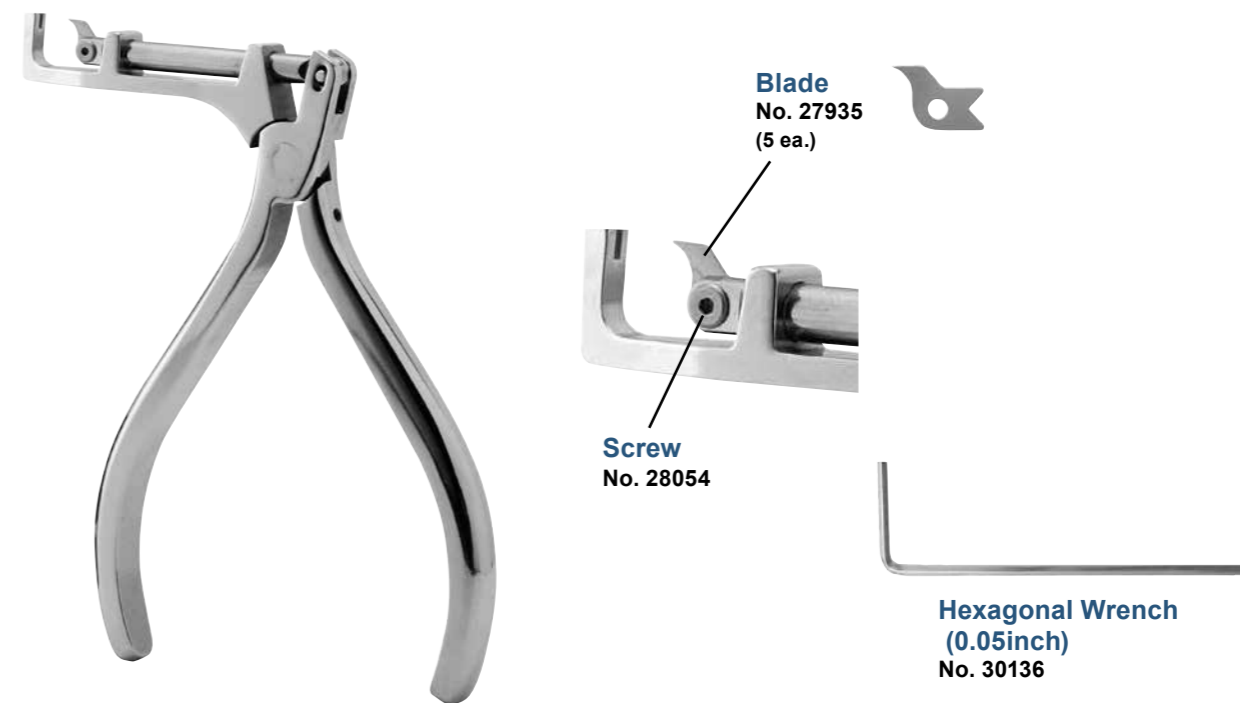


### Orthodontic Pliers EVER

- Classic 412 / Fine 443-

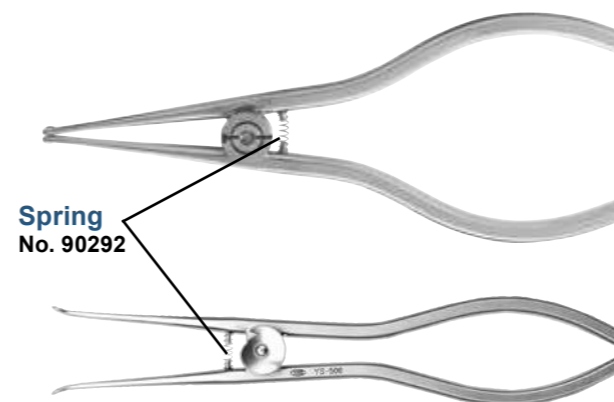


### Convertible Cap Removing Pliers



### Tying Pliers

-YS-506 / YS-507-



### Separator

-YS-551-



### Band Seater

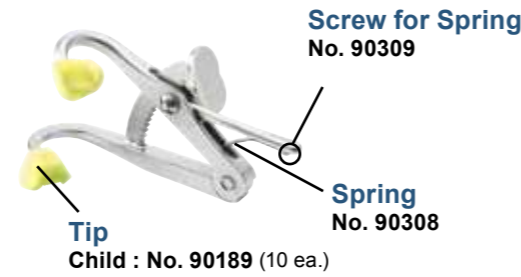
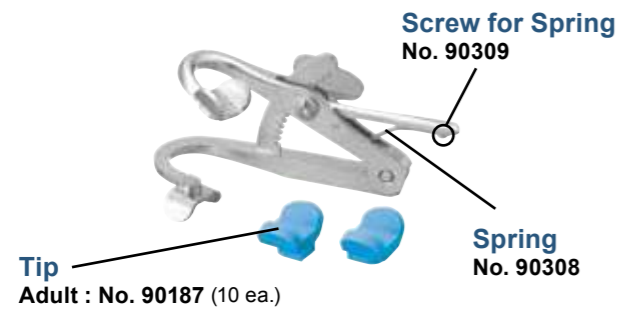
-YS-703-





### Almighty Mouth Gag

-Adult / Child-



### Sterilization Cassette

-Type-A / Type-B -



### Photographic Mirror

### One-Touch Cotton Box Type-2

### Sterilization Case

**Sterilization Pouch L**  
No. 13270



suitable for

No.	Description
13261	ST Occlusal
13264	ST Occlusal Wide L
13266	ST Occlusal Wide LL
13274	SE Occlusal LL
13571	Occlusal
13576	Occlusal Wide L
13578	Occlusal Wide LL

Size / H250 x W85mm

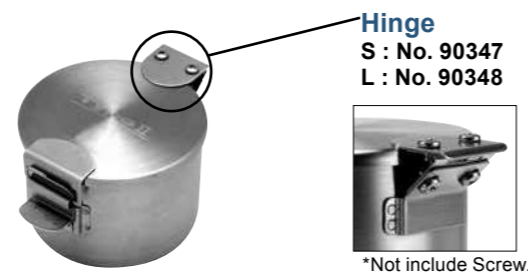
**Sterilization Pouch**  
No. 13269

suitable for

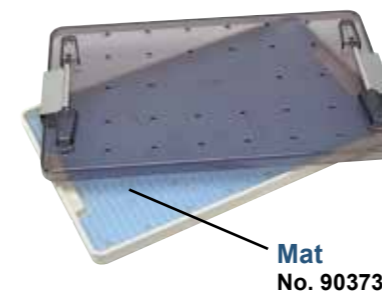
No.	Description
13262	ST Lingual
13263	ST Buccal
13265	ST Occlusal Wide S
13271	SE Buccal & Lingual
13272	SE Occlusal L
13273	SE Occlusal M
13572	Lingual
13573	Buccal
13577	Occlusal Wide S

Size / H205 x W80mm

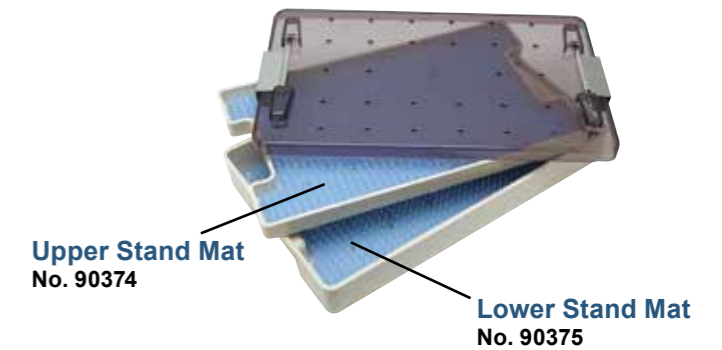
-Alcohol-



-MS #1-



-MS #2-



### Cotton Dispenser

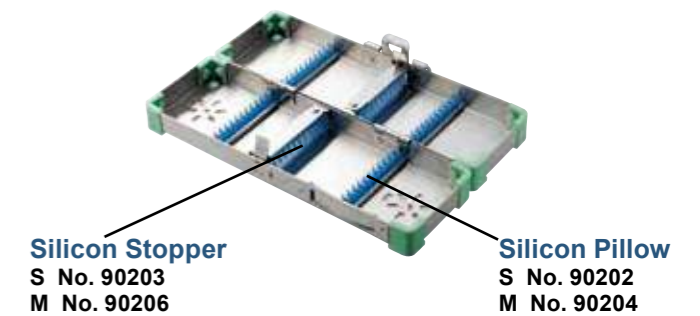
-Cotton & Gauze / Pellets-



-S Green-



-Free S Green / Free M Green-



\*Used for both Free S Green and Free M Green.

### One Push Liquid Bottle Set

### Phial Stand One-Touch

### Bur Pot Set

