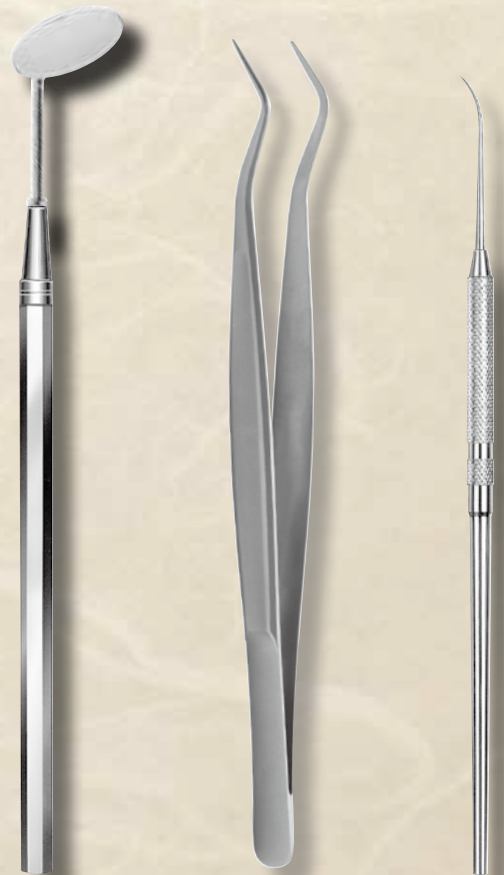




Diagnosis

Explorer	2
Excavator	5
Dressing Tweezers	6
Mouth Mirror	8
Disposable Instrument	10
Temporary Filling Instrument	10
Evacuation Tip	11
Stainless Dish / Tray	12





Explorer

-Single End-



#3
No. 01003



#5
No. 01005



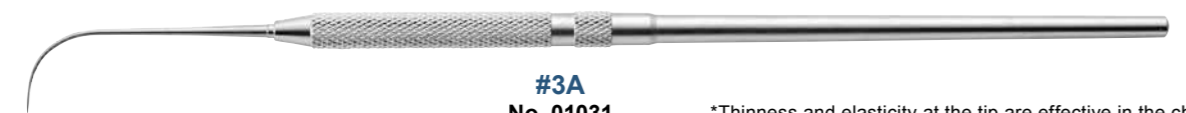
#9
No. 01009



#23
No. 01023



#25
No. 01025



#3A
No. 01031

*Thinness and elasticity at the tip are effective in the check of dental tartar, cavity and surplus cement.



Multi
No. 01030

*A tip part is made thick for intensity.



#23BS
No. 01024



Octagonal Handle #9
No. 01109

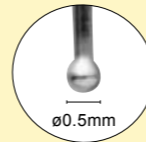


Shimamine #1
No. 01151

-Ball Point-



#1
No. 01221



*The round tip realizes checking of caries without damaging pit and fissure tissues.
*Suitable for filling of sealant.

-Double End-



#5
No. 01205



#6
No. 01206



#8
No. 01208



#3-9
No. 01209



#11-12
No. 09224



*Explorer with the shank of "Gracey Curette #11-12".
*Thinness and elasticity at the tip are effective in the check of dental tartar, cavity and surplus cement.

- for Root Canal Therapy -



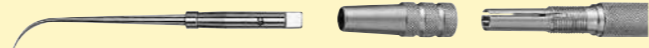
#16
No. 01316



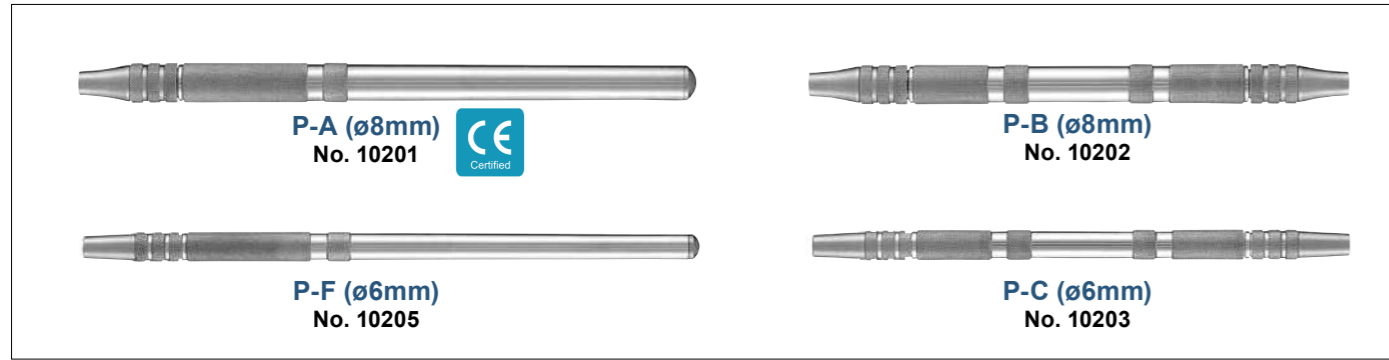


Explorer Tip (Replaceable Type)

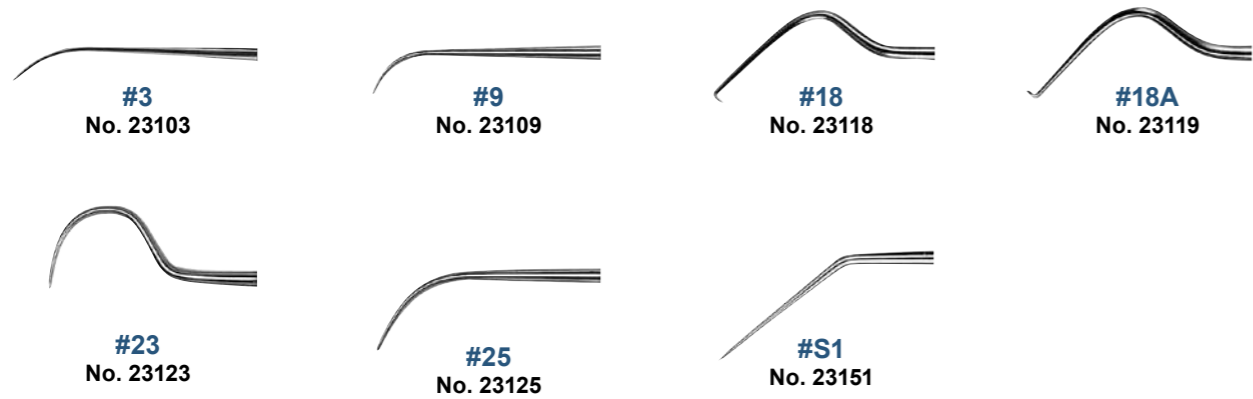
*Remove all joint parts and replaceable tip before sterilization and disinfection.
*For more replaceable type products see P. 201.



-Handle-

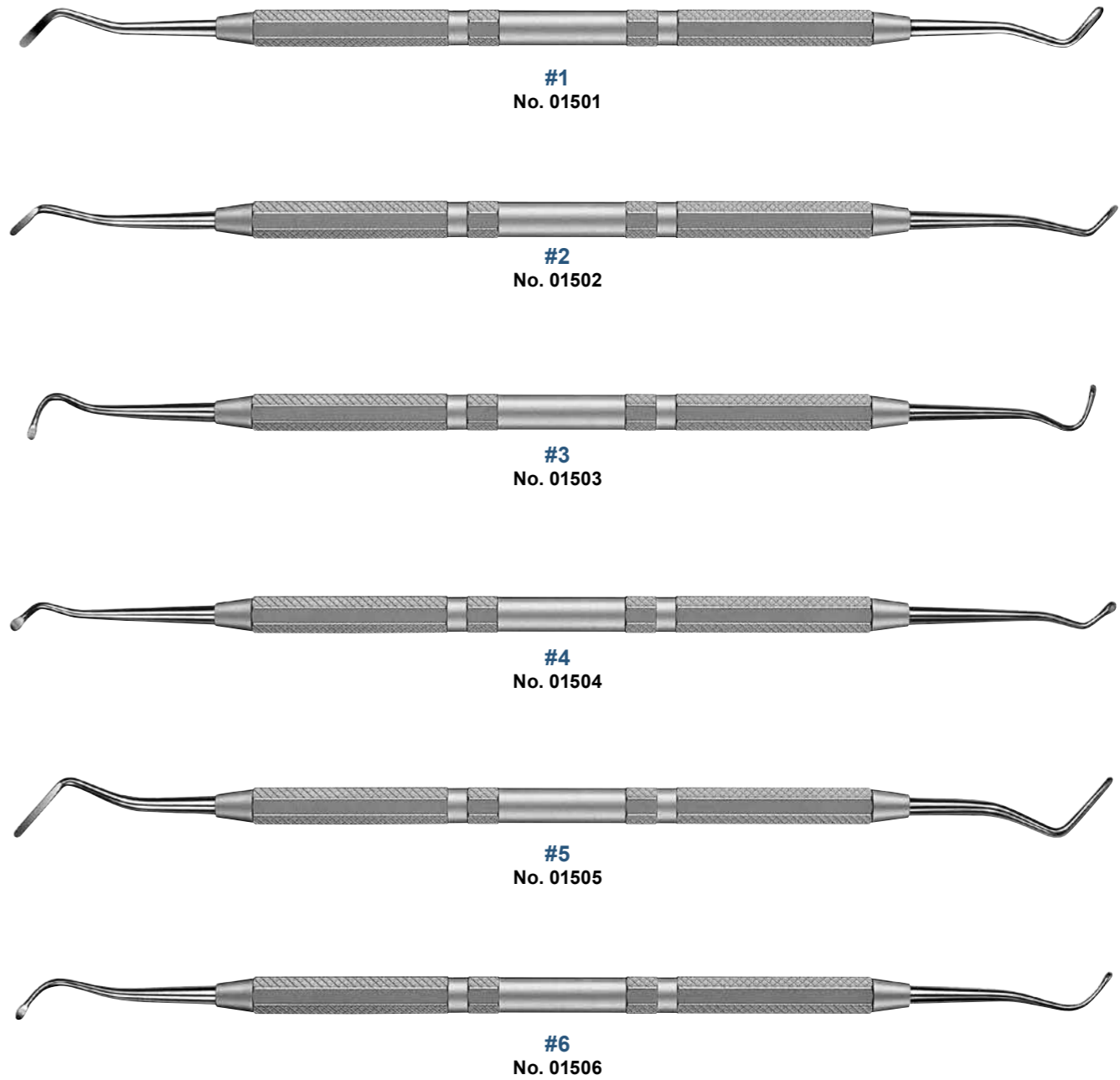


-Tip (3 ea.)-



Excavator

-Octagonal-



-Round-



#1	#2	#3	#4	#5	#6
01511	01512	01513	01514	01515	01516



NC #18
No. 11305

Size / 160mm



NC #18 with Diamond
No. 11307

Size / 160mm



NC #18 with Serration
No. 11306

Size / 160mm



Premium
No. 11019

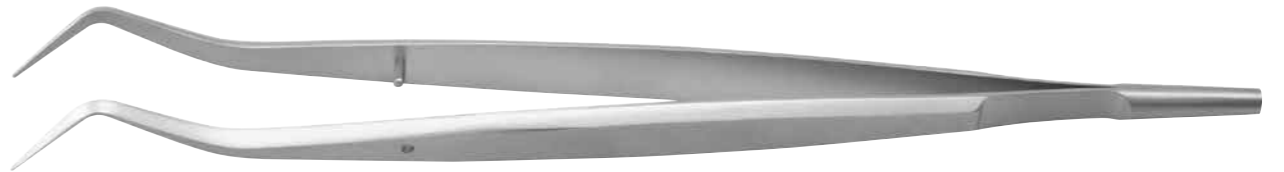
Size / 160mm

*Delicate tweezers.
*Careful finish prevents tip misalignment.



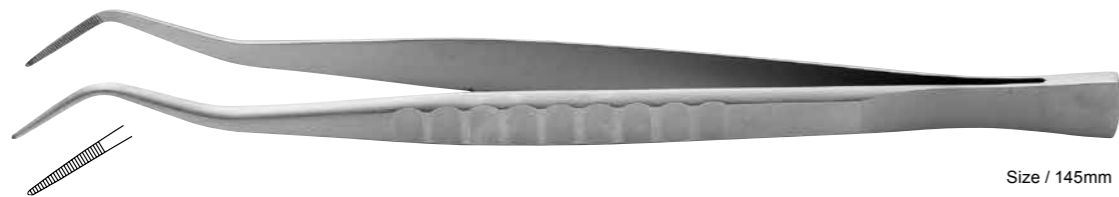
Mini #18
No. 11308

Size / 145mm



Koshi
No. 11020

Size / 165mm



Mini #18 with Serration
No. 11309

Size / 145mm



Light Weight
No. 11024

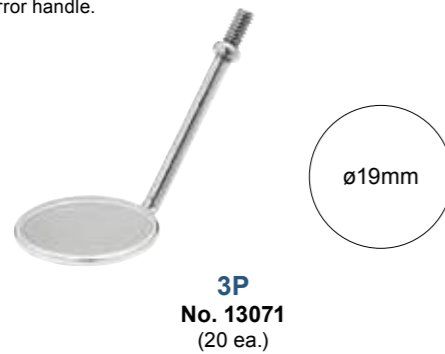
Size / 165mm



Mouth Mirror (Simple Stem)

-Clear 2-

*With thin glass, there is little blur of an image and reflected vividly.
*Suitable only for YDM mirror handle.



3P
No. 13071
(20 ea.)



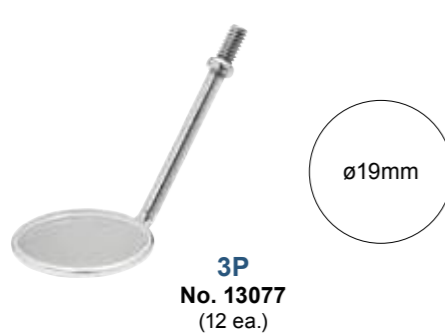
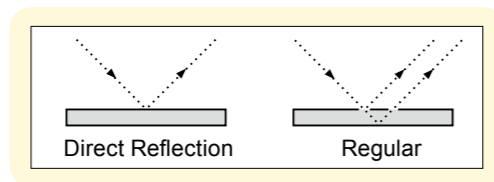
4P
No. 13073
(20 ea.)

*Thickness / 1.9mm
*Reflection rate / About 93%

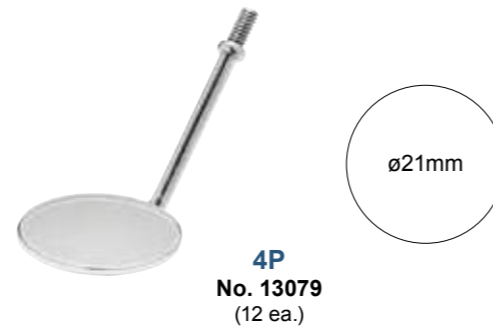
-Front Surface-

*Titanium Coating

*Direct reflection prevents an image blurring.
*Suitable only for YDM mirror handle.



3P
No. 13077
(12 ea.)



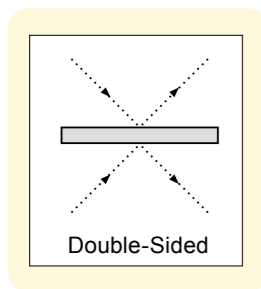
4P
No. 13079
(12 ea.)

*Thickness / 1.9mm
*Reflection rate / About 98%

Metal Mirror (Simple Stem)



*The mirror made from stainless steel does not have a fear of being divided, and is suitable for the medical treatment of child dentistry, disabled person dentistry.
*Suitable only for YDM mirror handle.



No. 13131
(6 ea.)



ø21mm

*Thickness / 1.1mm
*Reflection rate / About 65%

Mirror Handle



*Suitable only for YDM mouth mirror.



Octagonal
No. 13121



SC
No. 13127



YS
No. 13128



Titanium
No. 13130



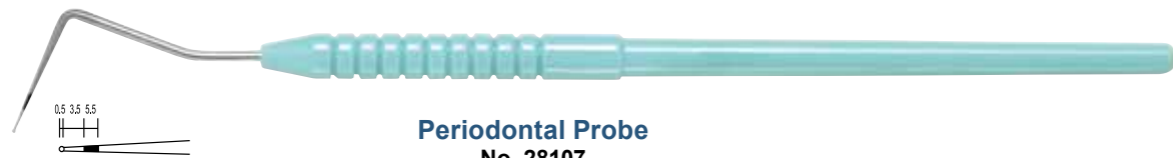
Disposable Instrument



Mouth Mirror
No. 28102
(50 ea.)



Explorer
No. 28101
(50 ea.)



Periodontal Probe
No. 28107
(50 ea.)

*Disposable type (Not sterilized)
*Material / PS : Heatproof temperature 70°C (Handle)
*Need disinfection by solution or EOG sterilization before use.



Temporary Filling Carrier

No. 13200



*A tip is heated and used.
*To prevent the burn of membrane, a black cover is made to slide to a tip.



Temporary Filling Remover



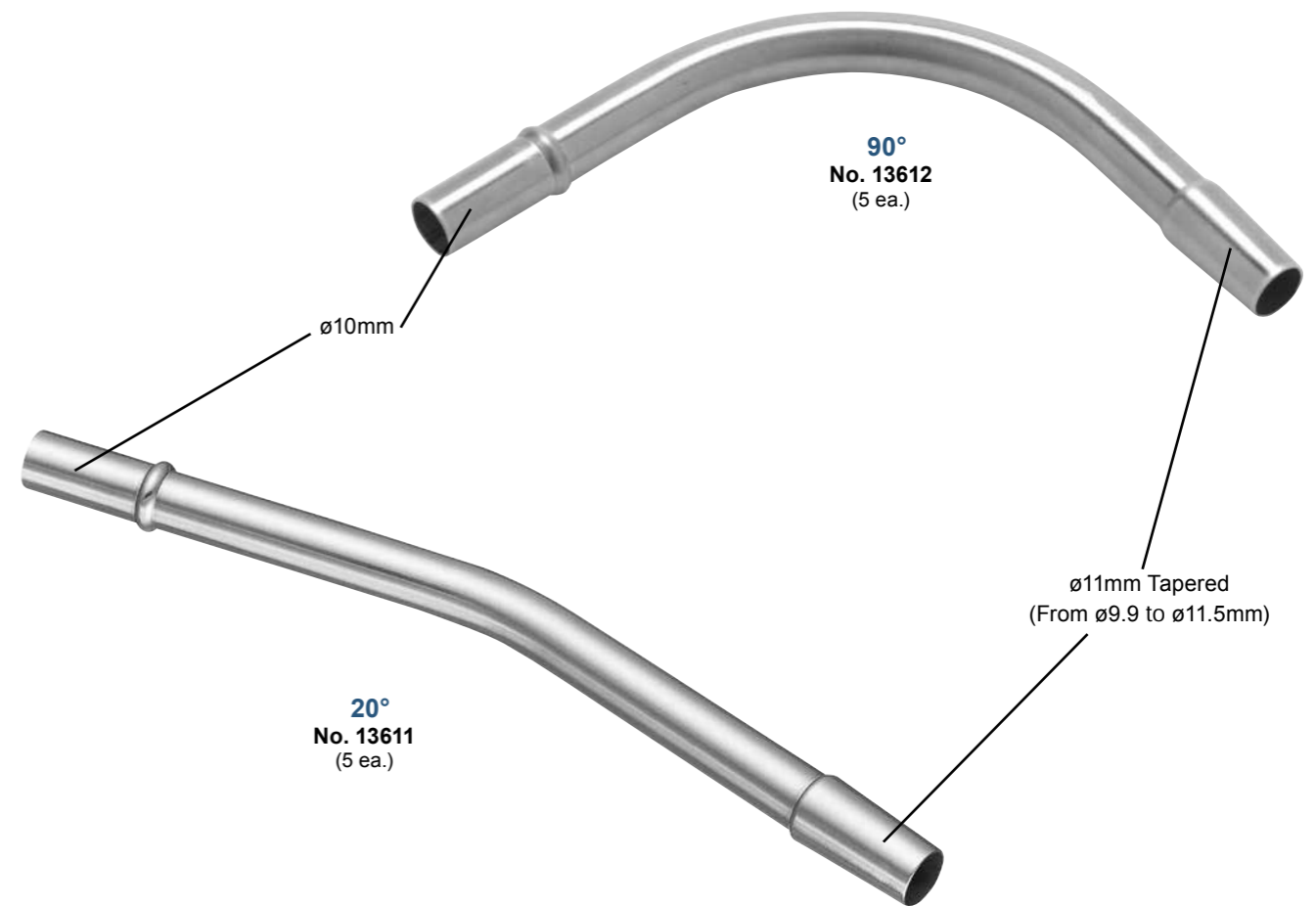
#10
No. 03010

Evacuation Tip



-Universal-

*There is no trap for suction prevention attached at the evacuation tip, so it is easy to clean. (Rubber sleeve has a trap)



Sold Separately

Rubber Sleeve
No. 13613
(5 ea.)



*Size / 40mm
*Material / Si



**"Rubber Sleeve" has a trap inside.

Adapter
No. 13614



*Material / PTFE



*In case the inside diameter of evacuation tube is 16mm, this adaptor is needed for the use of "Evacuation Tip Universal".

Cleaning Brush L (ø12mm)
No. 13653
(12 ea.)



Size / 180mm



Stainless Dish



*Excellent when using small portion of bath such as topical anesthesia, local disinfection, etching solution, and temporary filling material (powder or liquid).

No. 13670
(5 ea.)



*Hole diameter / ϕ 16mm
*Size / W56 x D31 x H8.5mm

Stainless Tray



M
No. 13413



Size / W245 x D146 x H8mm

S
No. 13410



Size / W245 x D73 x H8mm

